



OWNER'S MANUAL

AIR CONDITIONER



Read this owner's manual thoroughly before operating the appliance and keep it handy for reference at all times.

ENGLISH

4 Way Cassette

TABLE OF CONTENTS

This manual may contain images or content that may be different from the model you purchased.
This manual is subject to revision by the manufacturer.

SAFETY INSTRUCTIONS

- READ ALL INSTRUCTIONS BEFORE USE 4**
 - Safety Messages.....4
- WARNING INSTRUCTIONS 4**
 - Technical Safety.....4
 - Installation6
 - Operation7
 - Wireless Remote Control.....8
 - Maintenance8
 - Refrigerant.....9
- CAUTION INSTRUCTIONS 9**
 - Installation9
 - Operation10
 - Maintenance11

OPERATION

- Before Use 12**
 - Notes for Operation.....12
 - Suggestions for Energy Saving.....12
- Product Overview 13**
 - 4-Way Cassette13
 - Display15
 - Auto Restart Function.....15

MAINTENANCE

- Cleaning..... 16**
 - Cleaning Interval16
 - Cleaning the Air Filter17
 - Cleaning the PM1.0 Sensor23
 - Cleaning the Air Filter(The Lift Grille Type)24
- Tips for Maintenance 27**
 - Before Long Periods of Disuse27
 - After Long Periods of Disuse27

TROUBLESHOOTING

- Before Calling for Service 28**
 - Self-Diagnosis Function28
 - Operation28
 - Performance31
- Calling for Service 32**
 - Situations in which Calling for Service is Necessary32

SAFETY INSTRUCTIONS

READ ALL INSTRUCTIONS BEFORE USE

The following safety guidelines are intended to prevent unforeseen risks or damage from unsafe or incorrect operation of the appliance. The guidelines are separated into 'WARNING' and 'CAUTION' as described below.

Safety Messages



This symbol is displayed to indicate matters and operations that can cause risk. Read the part with this symbol carefully and follow the instructions in order to avoid risk.



WARNING

This indicates that the failure to follow the instructions can cause serious injury or death.



CAUTION

This indicates that the failure to follow the instructions can cause the minor injury or damage to the product.

WARNING INSTRUCTIONS

WARNING

- To reduce the risk of explosion, fire, death, electric shock, injury or scalding to persons when using this product, follow basic precautions, including the following:
-

Technical Safety

- This appliance can be used by children aged from 8 years and above and persons with reduced physical, sensory or mental capabilities or lack of experience and knowledge if they have been given supervision or instruction concerning use of the appliance in a safe way and

understand the hazards involved. Children shall not play with the appliance. Cleaning and user maintenance shall not be made by children without supervision.

- This appliance is not intended for use by persons (including children) with reduced physical, sensory or mental capabilities, or lack of experience and knowledge, unless they have been given supervision or instruction concerning use of the appliance by a person responsible for their safety. Children should be supervised to ensure that they do not play with the appliance.
- Installation or repairs made by unauthorized persons can pose hazards to you and others.
- The information contained in the manual is intended for use by a qualified service technician who is familiar with the safety procedures and equipped with the proper tools and test instruments.
- Failure to read and follow all instructions in this manual can result in equipment malfunction, property damage, personal injury and/or death.
- The refrigerant and insulation blowing gas used in the appliance require special disposal procedures. Consult a service agent or a similarly qualified person before disposing of them.
- When the power cord is to be replaced, the replacement work shall be performed by authorized personnel using only genuine replacement parts.
- If the supply cord is damaged, it must be replaced by the manufacturer or its service agents or a similarly qualified person in order to avoid a hazard.
- The appliance shall be installed in accordance with national wiring regulations.
- This appliance must be properly grounded.
- Do not cut or remove the grounding prong from the power plug.
- Attaching the earth wire to the power outlet cover screw does not ground the appliance unless the cover screw is metal, uninsulated, and the power outlet is grounded through house wiring.

- If you have any doubt whether the air conditioner is properly grounded, have the power outlet and circuit checked by a qualified electrician.

Installation

- Contact an authorized service centre when installing or relocating the air conditioner.
- Contact the dealer, seller, qualified electrician or authorized service centre for cleaning or maintenance the air conditioner.
- Do not install, remove, or re-install the unit by yourself (customer). Installation or repairs done by unauthorized persons can pose hazards to you and others.
- For electrical work, contact the dealer, seller, a qualified electrician or an authorized service centre.
- Do not attempt to do electrical work or grounding work unless you are licensed to do so. Consult with the dealer for electrical work and grounding work.
- Do not install the product on a defective installation stand.
- Be sure the installation area does not deteriorate with age.
- Be sure to only use accessories made by LG which are specifically designed for use with the equipment and have them installed by a professional.
- Never install the outdoor unit on a moving base or a place from where it can fall down.
- Do not install the unit in potentially explosive atmospheres.
- Do not install the air conditioner in a place where flammable liquids or gases such as gasoline, propane or paint thinner are stored.
- Install the panel and the cover of the control box safely.
- Install a dedicated electric outlet and earth leakage breaker before using the appliance.
- Use a standard circuit breaker and fuse that conform to the rating of the air conditioner.

- Do not use a multiple socket, extension power cable or adapter with this appliance.
- The indoor/outdoor wiring connections must be secured tightly, and the cable should be routed properly so that there is no force pulling the cable from the connection terminals. Improper or loose connections can generate heat or cause a fire.
- Do not connect the ground wire to a gas pipe, a lightning rod, or a telephone ground wire.
- Use non-flammable gas (nitrogen) to check for leaks and to purge air; using compressed air or flammable gas may cause fire or explosion.

Operation

- Do not modify or extend the power cable. Scratches or peeling insulation on the power cables may result in fire or electric shock, and the cables should be replaced.
- Make sure that the power cable is neither dirty, loose, nor broken.
- Do not place any objects on the power cable.
- Take care to ensure that the power cable could not be pulled out or damaged during operation.
- Never touch, operate, or repair the air conditioner with wet hands.
- Do not insert hands or other objects through the air inlet or outlet while the air conditioner is operating.
- Make sure that nobody, especially children, climbs on or hits the outdoor unit.
- Be sure to use only those parts listed in the service parts list. Never attempt to modify the equipment.
- Do not touch the refrigerant pipe, water pipe or any internal parts while the unit is operating or immediately after operation.
- Do not leave flammable substances such as gasoline, benzene, or thinner near the air conditioner.
- Do not use the air conditioner for an extended period of time in a small place without proper ventilation.

- Be sure to ventilate sufficiently when the air conditioner and a heating appliance such as a heater are used simultaneously.
 - There is the possibility of oxygen deficiency.
- Do not block the inlet or outlet airflow.
- Cut off the power supply if there is any noise, smell, or smoke coming from the air conditioner.
- Contact an authorized service centre if the air conditioner is submerged by flood waters.
- In the event of a gas leak (such as Freon, propane gas, or LP gas), ventilate sufficiently before using the air conditioner again.
- Stop operation and close the window during a storm or hurricane. If possible, remove the product from the window before the hurricane arrives.

Wireless Remote Control

- Never mix different types of batteries, or old and new batteries in the remote control.
- Do not recharge or disassemble the batteries.
- Dispose of the batteries in a place where there is no danger of fire.
- Stop using the remote control if there is a fluid leak in the battery. If your clothes or skin is exposed to the leaking battery fluid, wash off with clean water.
- If the leaking battery fluid has been swallowed, rinse the inside of the mouth thoroughly and consult a doctor.
- Never let the indoor unit or the remote control get wet.

Maintenance

- Before cleaning or performing maintenance, disconnect the power supply and wait until the fan stops.
 - The fan rotates at a very high speed during operation.
 - There is a possibility of injury if the unit's power is accidentally triggered on while you are cleaning the inner parts of the unit.

- Appliance shall be disconnected from its power source during service and replacing parts.

Refrigerant

- Follow the standards of the corresponding region or country for handling the refrigerant and the air conditioner and for disassembling the air conditioner.
- Use only the refrigerant specified on the air conditioner label.
- Do not input air or gas into the system except the specified refrigerant.
- Do not touch the leaking refrigerant during installation or repair.
- If the refrigerant gas leaks during the installation, ventilate the area immediately.
- Be sure to check for refrigerant leaks after installing or repairing the product.
- In the case of refrigerant leakage, consult the dealer. When the air conditioner is to be installed in a small room, it is necessary to take proper measures so that the amount of any leaked refrigerant does not exceed the limiting concentration even when it leaks. If the refrigerant leaks exceeding the level of limiting concentration, an oxygen deficiency accident may happen.

CAUTION INSTRUCTIONS

CAUTION

- To reduce the risk of minor injury to persons, malfunction, or damage to the product or property when using this product, follow basic precautions, including the following:

Installation

- Use a forklift or 2 or more people to transport the air conditioner.
- Do not install the air conditioner in an area where it is directly exposed to sea wind (salt spray).

- Install the drain hose properly for the smooth drainage of water condensation.
- Install the air conditioner in a place where the noise from the outdoor unit or the exhaust fumes will not inconvenience the neighbours.
- Safely dispose of packing materials such as screws, nails, plastic bags or batteries using proper packaging after installation or repair.
- Exercise caution when unpacking or installing the air conditioner.
- Be especially careful of the case edges and the fins on the condenser and evaporator.
- To avoid vibration or water leakage, keep the product level even when installing it.
- When installing the unit, use the installation kit provided with the product.
- The edges of heat exchanger fins are sharp enough to cut. To avoid injury, wear gloves or cover the fins while working around them.

Operation

- Do not drink the water drained from the air conditioner.
- Do not place objects in direct proximity to the outdoor unit and do not let leaves and other debris accumulate around the unit. Leaves are a hotbed for small animals which can enter the unit. Once inside the unit, such animals can cause malfunctions, smoke or fire if they come into contact with electrical parts.
- Do not let the air conditioner run for a long time when humidity is very high or when a door or a window has been left open.
- Do not expose people, animals, or plants to the cold or hot wind from the air conditioner for extended periods of time.
- Do not use the product for special purposes, such as preserving foods, works of art, etc. The air conditioner is designed for consumer purposes, and is not a precision refrigeration system. There is risk of damage or loss of property.
- Do not turn on the breaker or power when the front panel, cabinet, top cover, or control box cover are removed or opened.

- Do not open the front grille of the product during operation. Do not touch the electrostatic filter, if the unit is so equipped.
- Take care to prevent water from entering the product.
- Make sure that there are no obstacles close to the outdoor unit. The presence of obstacles close to the outdoor unit may reduce the performance of the outdoor unit or increase its operating sound.
- Do not turn off the power immediately after stopping operation. Always wait for at least five minutes before turning off the power.

Maintenance

- Use a sturdy stool or ladder when cleaning, maintaining, or repairing the air conditioner at a height.
- Do not plug or unplug the power supply plug to turn the unit on or off.
- Never use strong cleaning agents or solvents or spray water when cleaning the air conditioner. Use a soft cloth.
- Never touch the metal parts of the air conditioner when removing the air filter.
- Tear apart and throw away plastic packaging bags so that children will not play with them.
- When the product will not be used for a long time, disconnect the power supply plug or turn off the breaker.
- Do not tilt the unit when removing or uninstalling it. The condensed water inside can spill.
- Check the foundation for damage on a regular basis, especially if the product has been in use for a long time.
- Always insert the filter securely. Clean the filter every two weeks or more often if necessary. A dirty filter reduces the efficiency of the air conditioner and could cause product malfunction or damage.

OPERATION

Before Use

Notes for Operation

- Adjust the direction of the airflow vertically to circulate indoor air.
- Speed up the fan to cool or warm indoor air quickly, within a short period of time.
- Turn off the appliance and periodically open windows for ventilation. The indoor air quality may deteriorate if the appliance is used for long periods.
- Clean the air filter once every 2 weeks. Dust and impurities collected in the air filter may block the airflow or reduce the appliance performance.

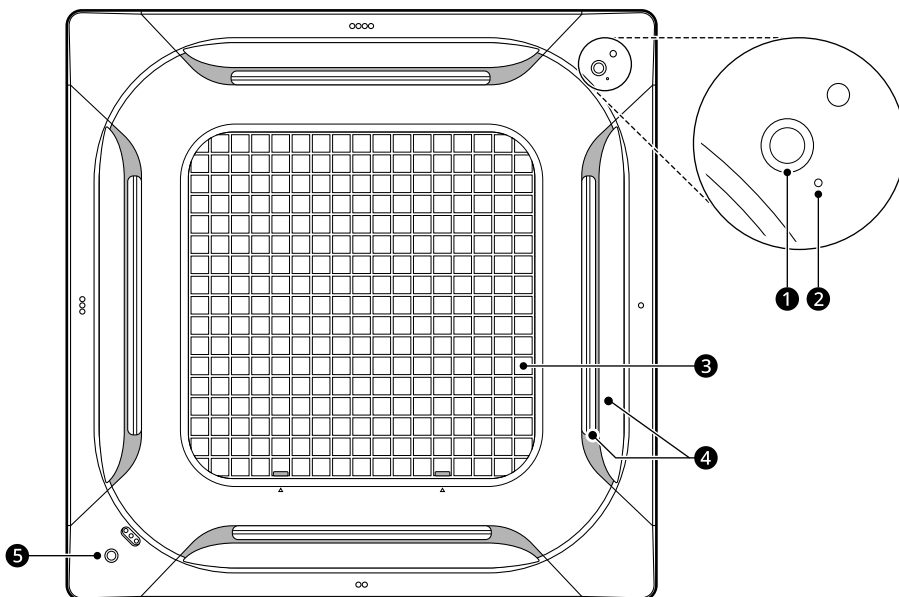
Suggestions for Energy Saving

- Do not over-cool the space. This may be harmful to your health and may consume more electricity.
- Block sunlight with blinds or curtains while you are operating the appliance.
- Keep doors or windows closed tightly while you are operating the appliance.

Product Overview

4-Way Cassette

Dual Vane Type



① Operating Status Lamp and Remote Control Receiver

Operation Status Lamp: Displays the operating status.

Remote Control Receiver: Contains the receiver for the wireless remote.

② Forced Operation Button

Operates the product when the remote control can't be used.

③ Air Intake Vents and Air Filter

Air Intake: Takes in air from the room.

Air Filter: Reduces dust in the air.

④ Air Outlet Vents

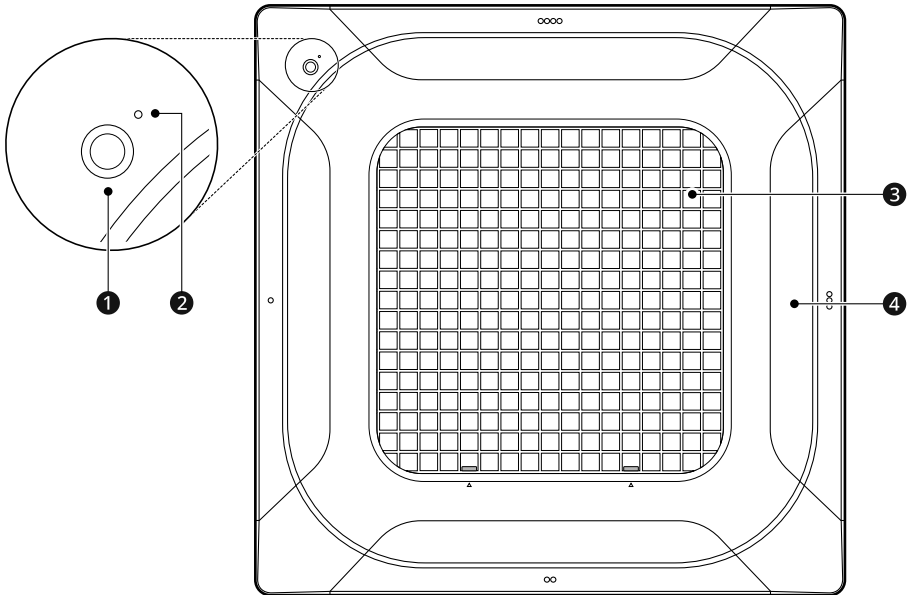
Circulates air back into the room at the desired temperature.

⑤ PM 1.0 Sensor^{*1}

Detects indoor fine dust concentration.

*1 This sensor is provided only when the air purifying front panel is installed.

Normal Type



① Operating Status Lamp and Remote Control Receiver

Operation Status Lamp: Displays the operating status.

Remote Control Receiver: Contains the receiver for the wireless remote.

② Forced Operation Button

Operates the product when the remote control can't be used.

③ Air Intake Vents and Air Filter

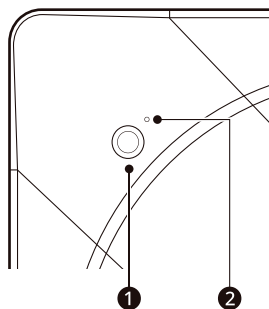
Air Intake: Takes in air from the room.

Air Filter: Reduces dust in the air.

④ Air Outlet

Circulates air back into the room at the desired temperature.

Display



① Operating Status Lamp

Color	Description
Green	1) Cooling or Heating mode 2) Hot start or defrost mode before starting heating mode
Yellowish Green	1) Time to clean the filter in cooling or heating mode ^{*1} 2) when reservations sets are set.
Orange	Time to clean the filter when the product is not operating.

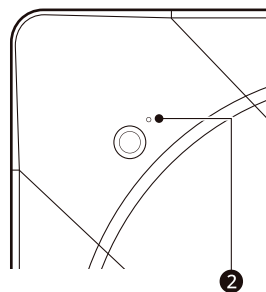
*1 The Clean Filter indicator lamp does not light up in products manufactured after October 2021.

② Forced Operation Button

Operates the appliance when the remote control can't be used.

- Press the ② button for about 2 seconds.

- If you want to set or disable the auto restart function, press and hold the Forced Operation Button ② for 15 seconds.



Auto Restart Function

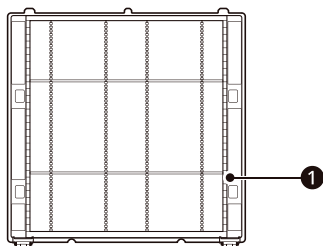
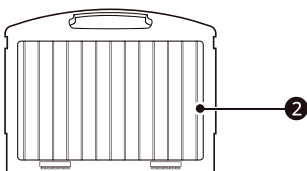
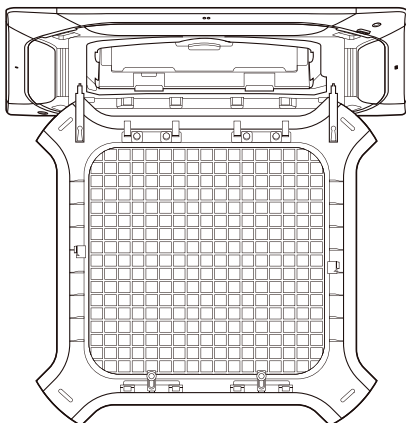
When the appliance is turned on again after a power failure, it resumes operating using the same settings.

- This function is useful in the case of power failure.
- This function is enabled by the factory default settings.

MAINTENANCE

Cleaning

Cleaning Interval



Filter Type	Water Washing	Interval
③ Deodorization Filter*1	X	6 Months

*1 This filter is provided only when the air purifying front panel is installed.

NOTE

- Never use water that is hotter than 40 °C when you clean the filters. Doing so may cause deformation or discolouration.
- Never use volatile substances when you clean the filters. Doing so may damage the surface of the appliance.
- The recommended cleaning intervals are based on 8 hours of daily use.
- If the filter is clogged with dust, the cooling/heating efficiency will drop.
 - 6 % of the electricity will be wasted.

Filter Type	Water Washing	Interval
① Air Filter	O	2 Weeks
② PM1.0 Filter*1	O	6 Months

Cleaning the Air Filter

⚠ WARNING

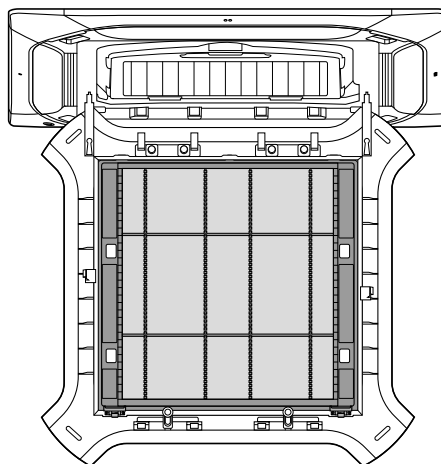
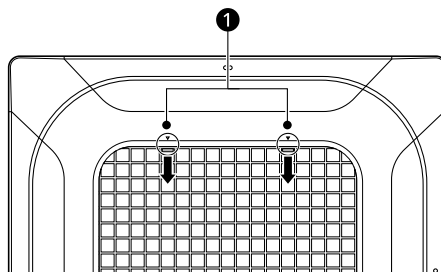
- Wear gloves during the work.
- Before cleaning or performing maintenance, disconnect the power supply and wait until the fan stops.

⚠ CAUTION

- When you remove the air filter, do not touch the metal parts of the indoor unit. Doing so may cause an injury.
- Do not bend the air filter, as it may break.
- Assemble the air filter properly to prevent dust and other substances from entering the product.

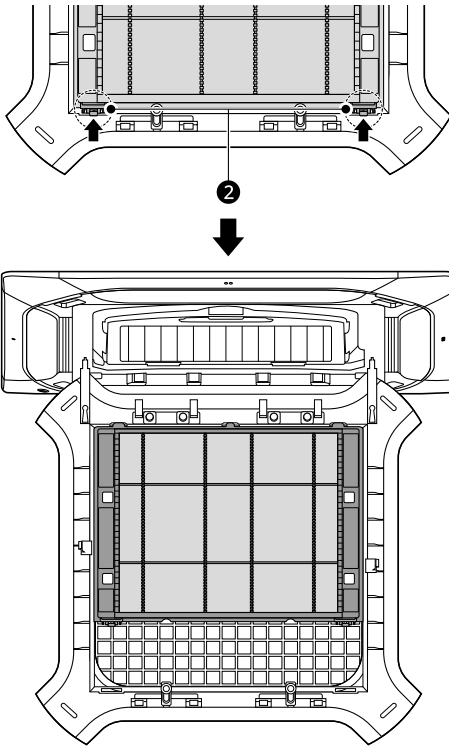
Removing the Filter

- 1 Press the Knobs ① on both sides and open the front grille.

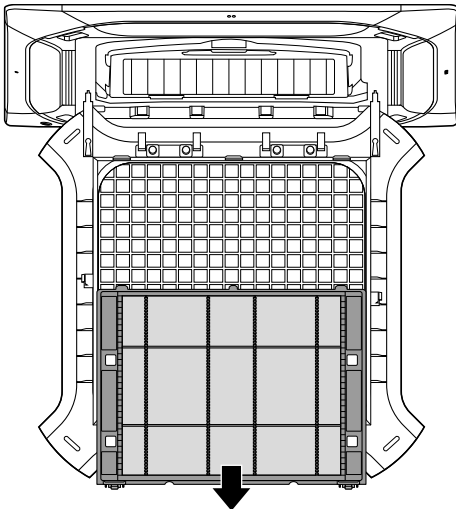


18 MAINTENANCE

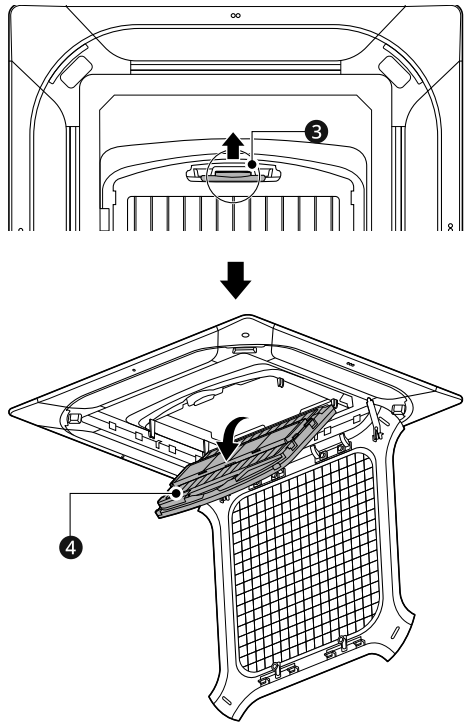
- 2 Press the Clips ② on both sides and separate the bottom of the air filter from the front grille.



- 3 Remove the air filter.



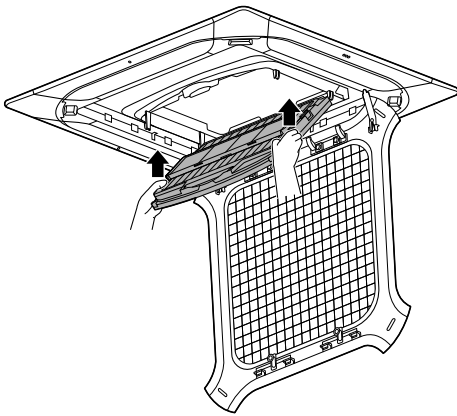
- 4 Press the Fixing Handle ③ and pull down the upper side of PM1.0 Filter ④.



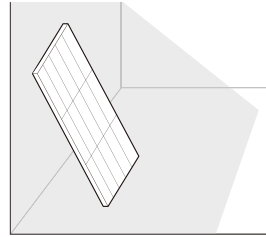
⚠ WARNING

- Don't touch the PM1.0 Filter within 10 seconds after opening the front grille.
 - Unless, it may cause an electric shock.

- 5** Lift the PM1.0 Filter slightly and remove it from the appliance.



- 2** Dry the filter in the shade.

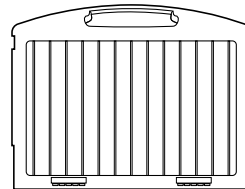


Cleaning the PM1.0 Filter and Deodorization Filter

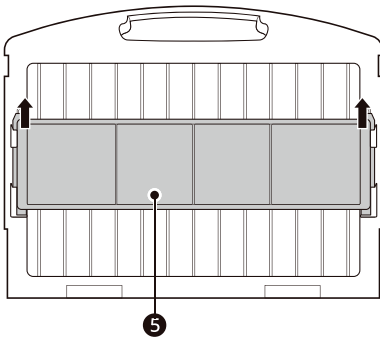
PM1.0 Filter

- 1) Soak the PM1.0 filter in enough water to submerge it and shake it several times to clean it.
 - Clean the filter without disassembling it.
 - If it is heavily soiled, soak it in lukewarm water with neutral detergent for 30 minutes, then rinse thoroughly with clean water.

- 2) Dry in the shade for about a day.
 - If you assemble the PM1.0 filter with moisture remaining, 7 beeps will sound.

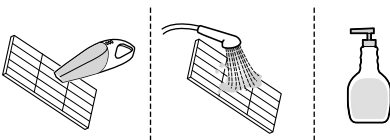


- 6** Remove the Deodorization Filter **5** by pressing it up.



Cleaning the Air Filter

- 1** Clean the air filter with a vacuum cleaner or wash it with lukewarm water and a mild detergent.



CAUTION

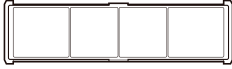
- Do not use hot water over 40 °C or volatile liquids.
- Do not use acidic detergents such as citric acid.
- Drying with a hot air heater, such as a hair dryer or a heater, could damage or deform the filter.
- The inside of the filter is sharp, so do not rub or touch it directly.

20 MAINTENANCE

Deodorization Filter

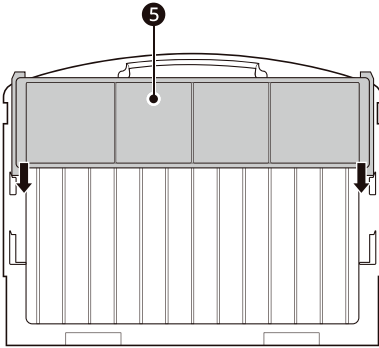
Do not wash the deodorization filter with water and dry for about 3 hours under weak sunlight or fluorescent light.

- Washing the filter with water could damage or deform it.

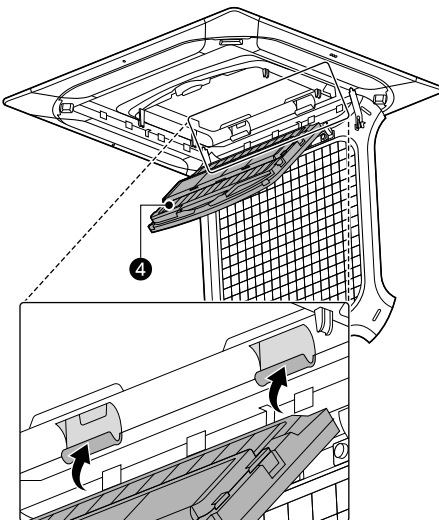


Mounting the Filter

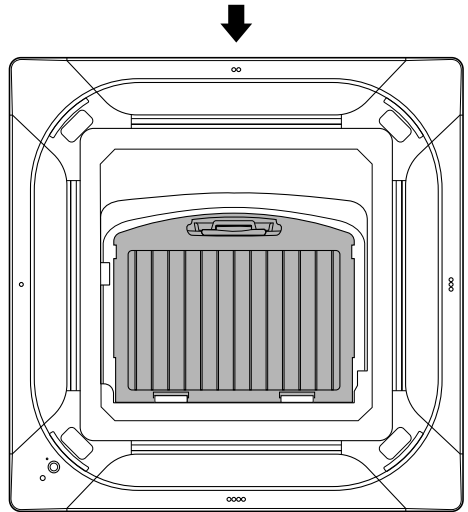
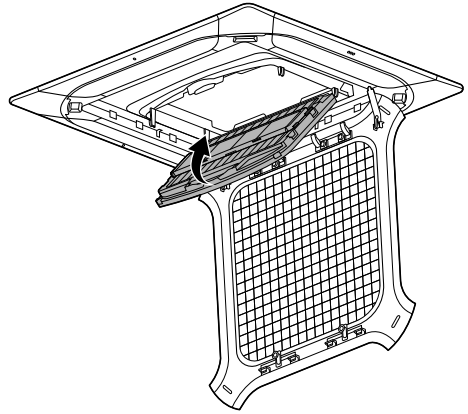
- 1 Insert the Deodorization Filter ⑤ into the PM1.0 Filter by pressing it down.



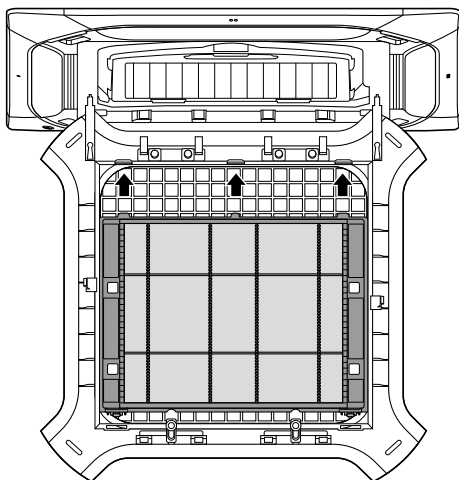
- 2 Mount PM1.0 Filter ④ on the hooks.



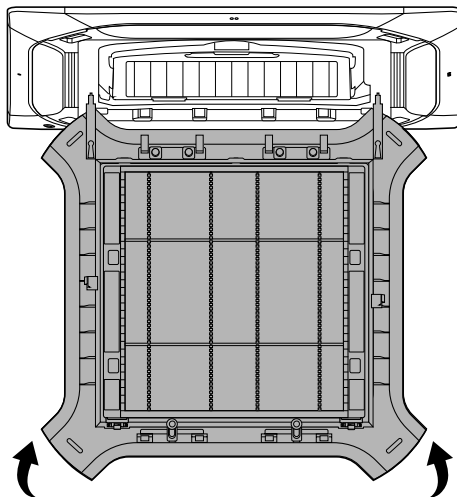
- 3 Push up the upper side of PM1.0 Filter and fix to the appliance.



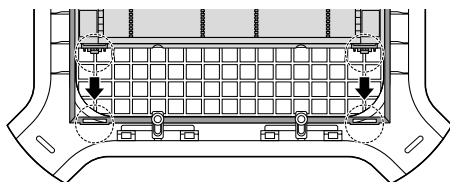
- 4** Insert the hooks on the upper side of the air filter into the holes.



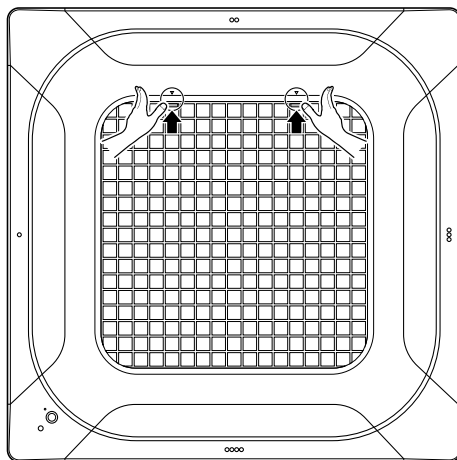
- 6** Close up the front grille to the appliance.



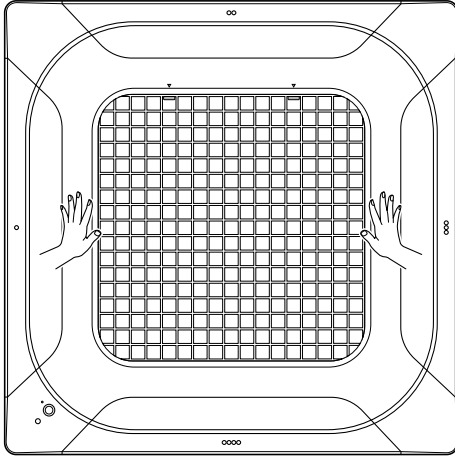
- 5** Insert the clips into the hooking holes on the bottom of front grille.



- 7** Fix the upper side of the front grille by pressing the knobs.



8 Press the centre of the left and right sides once.



Cleaning the PM1.0 Sensor

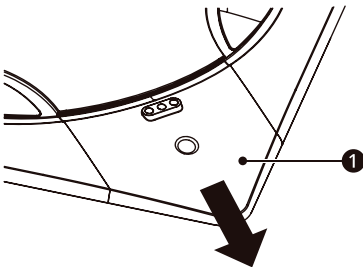
NOTE

- This process is applicable only when the air purifying front panel is installed.
 - PM1.0 Sensor is only included with air purifying front panel.
- It is recommended to clean the PM1.0 sensor every 6 months.(assuming 8 hours of daily use)
 - Cleaning interval is set period assuming that 8 hours of daily use.

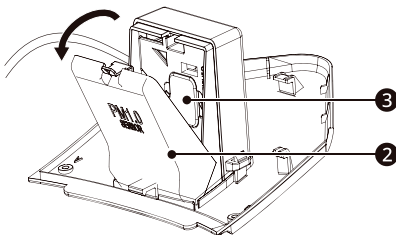
⚠ WARNING

- Turn off the power to the appliance before work.
- Be careful not to drop the product when removing the PM1.0 Sensor corner cover.
- Be careful of falling accidents when cleaning the PM1.0 sensor.

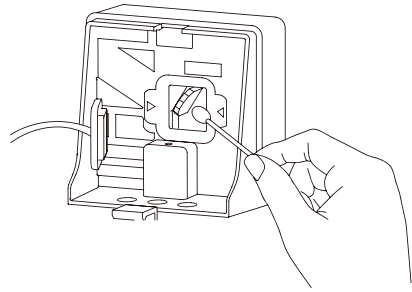
- 1 Remove the dust sensor corner cover ① on the front panel.



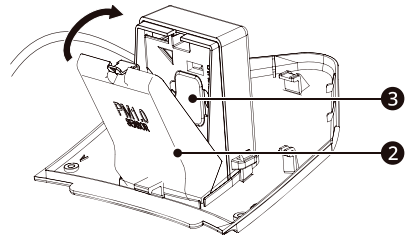
- 2 After opening the PM1.0 sensor cover ②, remove the rubber cover ③.



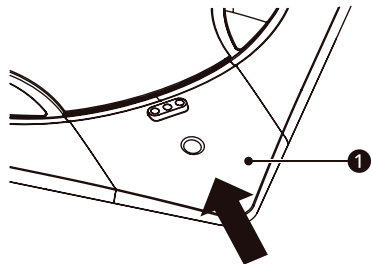
- 3 Wipe off any dust adhering to the lens using a cotton swab slightly moistened with water. Then wipe again with a dry cotton swab to remove moisture.



- 4 After inserting the rubber cover ③, assemble the PM1.0 sensor cover ②.



- 5 Assemble the dust sensor corner cover ① on the front panel.

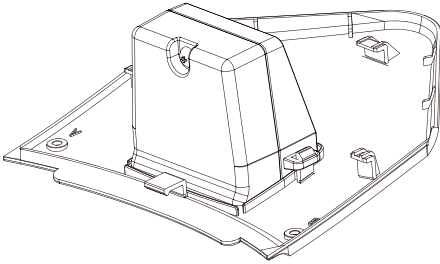


NOTE

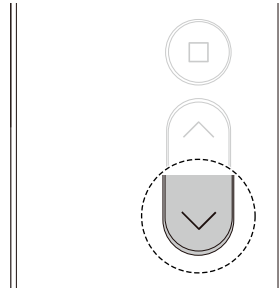
- The dust sensor shown below does not require cleaning.

NOTE

- The sensor cover is affixed to the sensor with the screw.



- 1 Press the **▼** (down) button on the wireless remote control for the lift grille.



⚠ WARNING

- Do not ride on the lift grille when it is moving up or down.
- The lift grille may get damaged, malfunction, or fall and cause injury.

Cleaning the Air Filter(The Lift Grille Type)

⚠ WARNING

- Wear gloves during the work.
- Before cleaning or performing maintenance, disconnect the power supply and wait until the fan stops.

⚠ CAUTION

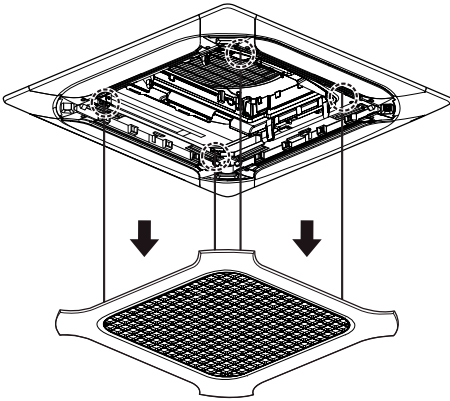
- When you remove the air filter, do not touch the metal parts of the indoor unit. Doing so may cause an injury.
- Do not bend the air filter, as it may break.
- Assemble the air filter properly to prevent dust and other substances from entering the product.

NOTE

- The length of the lift grille descending from the product is as follows.
 - Press the **▼** button on the remote control once to descend to the default descent length of 2m.
 - Press the **▼** button on the remote control once more to descend to the maximum descent length of 3.7m.
- The minimum descent length of the lift grille is 1m.

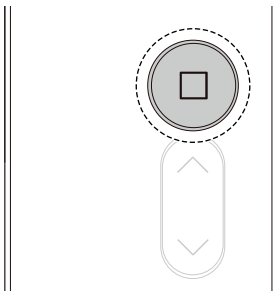
Removing the Filter

- The lift grille automatically stops if it interferes with any object or touches the floor whilst coming down.

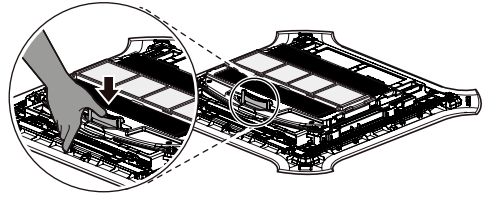


- To change the default lowering length of the lift grille to a length other than 2m, press the ■ button on the remote control five times in succession when the lift grille is in the desired position.

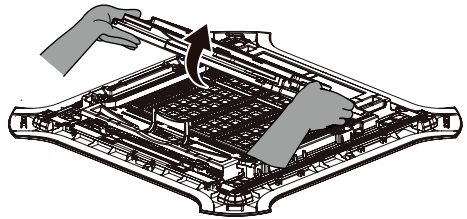
- The position in which you press the ■ button on the remote control five times in succession is set as the basic lowering length of the lift grille.
- The default descent length can be set in the range of 1m to 3.7m.



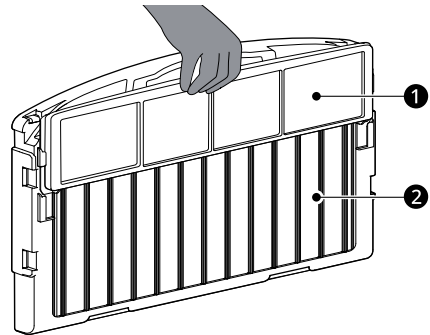
- 2 Press the fixed hook and lift the air filter.



- 3 Remove the air filter.



- 4 Pull out the Deodorization Filter ① to separate it from the PM1.0 Filter ②.



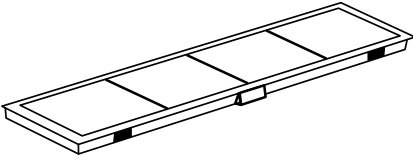
⚠ WARNING

- Don't touch the PM1.0 Filter within 10 seconds after opening the front grille.
- Unless, it may cause an electric shock.

Cleaning the Deodorization Filter and the PM1.0 Filter

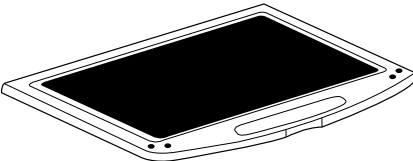
1 Deodorization Filter

Do not wash the deodorization filter with water and dry for about 3 hours under weak sunlight or fluorescent light.



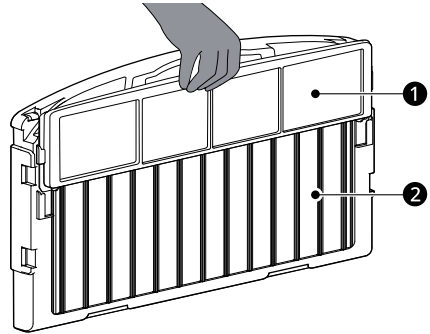
PM1.0 Filter

- 1) Soak the PM1.0 filter in enough water to submerge it and shake it several times to clean it.
 - If it is heavily soiled, soak it in lukewarm water with neutral detergent for 30 minutes, then rinse thoroughly with clean water.



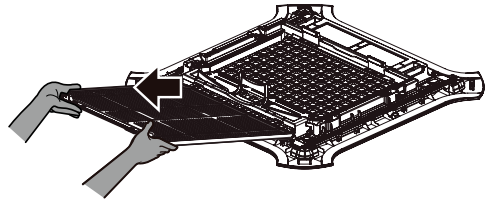
- 2) Dry in the shade for about a day.
 - If you assemble the PM1.0 filter with moisture remaining, 7 beeps will sound.

- 2 Insert the Deodorization Filter ① into the PM1.0 Filter ②.

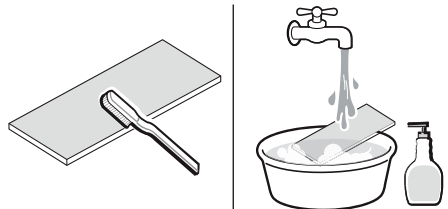


Cleaning the Air Filter

- 1 Remove the air filter mounted on the front grille.



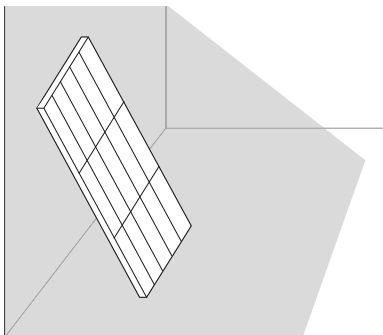
- 2 Clean the filter with a vacuum cleaner or a soft brush.
 - If it is heavily contaminated, wash it with lukewarm water mixed with a neutral detergent.



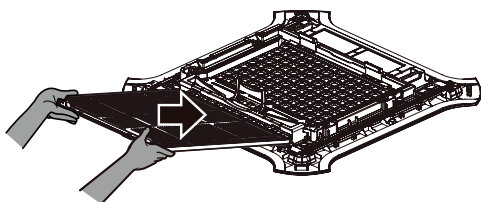
⚠ CAUTION

- Do not use hot water over 40 °C or volatile liquids.
- Do not use acidic detergents such as citric acid.
- Drying with a hot air heater, such as a hair dryer or a heater, could damage or deform the filter.
- The inside of the filter is sharp, so do not rub or touch it directly.

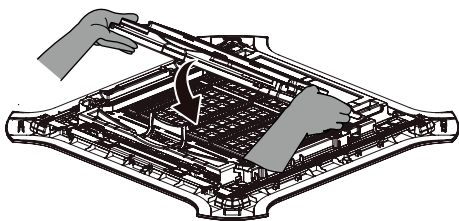
- 3 Dry the filter in a well-ventilated, shaded area.



- 4 Insert the air filter.



- 5 Assemble the air filter.



- 6 Use the wireless remote control for the lift grille to raise the lift grille.

NOTE

- If you open the front grille during installation or maintenance, the inner grill may not engage. In that case, the main circuit breaker must be turned on again for the air conditioner to operate normally.
- The lift grille will automatically stop and lock when it is coupled with the indoor unit.

Tips for Maintenance

Before Long Periods of Disuse

- 1 Operate the air conditioner in the **Fan mode** for 2 to 3 hours.
 - This will dry out the internal mechanisms.
- 2 Turn off the appliance.
- 3 Turn off the breaker.

After Long Periods of Disuse

- 1 Clean the air filter and install it in the indoor unit.
- 2 Check that the air inlet and outlet of the indoor/outdoor unit are not blocked.
- 3 Check that the ground wire is connected correctly.
 - The ground wire may be connected to the side of the indoor unit.

TROUBLESHOOTING

Before Calling for Service

Please check the following before you contact the service centre. If the problem persists, contact your local service centre.

NOTE

- Some functions may not be supported, depending on the model.

Self-Diagnosis Function

This appliance has a built-in **Self-Diagnosis** function. If an error occurs, the LED of the indoor unit will flash in 2-second intervals. If this occurs, contact your local dealer or service centre.

Operation

Symptoms	Possible Cause & Solution
The appliance does not work normally.	Burning smell and strange sounds are coming from the appliance. <ul style="list-style-type: none"> • Turn off the appliance, switch off or disconnect the power supply, and contact a service centre.
	Water leaks from the indoor unit even when the humidity level is low. <ul style="list-style-type: none"> • Turn off the appliance, switch off or disconnect the power supply, and contact a service centre.
	The power cable is damaged or it is generating excessive heat. <ul style="list-style-type: none"> • Turn off the appliance, switch off or disconnect the power supply, and contact a service centre.
	A switch, a circuit breaker (safety, ground) or a fuse is not operating properly. Has the fuse blown or has the circuit breaker been tripped? <ul style="list-style-type: none"> • Turn off the appliance, switch off or disconnect the power supply, and contact a service centre.
	The appliance generates an error code from its self-diagnosis. <ul style="list-style-type: none"> • Turn off the appliance, switch off or disconnect the power supply, and contact a service centre.
The fan speed cannot be adjusted.	The Jet mode or Auto Operation mode is selected. <ul style="list-style-type: none"> • In some operating modes, you cannot adjust the fan speed. Select an operating mode in which you can adjust the fan speed.

Symptoms	Possible Cause & Solution
The fan speed cannot be adjusted.	<p>The airflow generated by the air conditioner may be automatically adjusted during operation.</p> <ul style="list-style-type: none"> When the air conditioner reaches the set temperature, it reduces the airflow rate to avoid generating cool airflow when heating, or to minimize energy consumption and indoor humidity change when cooling.
The temperature cannot be adjusted.	<p>The Fan mode or Jet mode is selected.</p> <ul style="list-style-type: none"> In some operating modes, you cannot adjust the temperature. Select an operating mode in which you can adjust the temperature.
The appliance stops during operation.	<p>The appliance is suddenly turned off.</p> <ul style="list-style-type: none"> The Off Timer function may have timed out, which turns the appliance off. Check the timer settings.
	<p>Have you made a mistake in timer operation?</p> <ul style="list-style-type: none"> Set the timer correctly.
	<p>A power failure has occurred during operation.</p> <ul style="list-style-type: none"> Wait for the power to come back on. If you have the Auto Restart function enabled, your appliance will resume its last operation several minutes after power is restored.
The appliance does not work.	<p>A fuse blew or the power supply is blocked.</p> <ul style="list-style-type: none"> Replace the fuse or check if the circuit breaker has tripped.
	<p>The appliance is unplugged.</p> <ul style="list-style-type: none"> Check whether the power cord is plugged into the outlet or the power isolators are switched on.
	<p>A power failure has occurred.</p> <ul style="list-style-type: none"> Turn off the appliance when a power failure occurs. When the power is restored, wait 3 minutes, and then turn on the appliance.
	<p>The voltage is too high or too low.</p> <ul style="list-style-type: none"> Check if the circuit breaker has tripped.
	<p>The appliance was turned off automatically at a preset time.</p> <ul style="list-style-type: none"> Turn the appliance on.
	<p>The battery orientation in the wireless remote control is incorrect.</p> <ul style="list-style-type: none"> Make sure that the batteries are inserted correctly in your wireless remote control. If the batteries are placed correctly, but the appliance still does not operate, replace the batteries and try again.
	<p>Are the indoor unit's air inlet or outlet vents obstructed?</p> <ul style="list-style-type: none"> Remove the obstacles.

Symptoms	Possible Cause & Solution
<p>The appliance does not emit cool air.</p>	<p>Air is not circulating properly.</p> <ul style="list-style-type: none"> • Make sure that there are no curtains, blinds, or pieces of furniture blocking the front of the appliance.
	<p>The air filter is dirty.</p> <ul style="list-style-type: none"> • Clean the air filter once every 2 weeks. • See “Cleaning the Air Filter” for more information.
	<p>The room temperature is too high.</p> <ul style="list-style-type: none"> • In summer, cooling the indoor air fully may take some time. In this case, select the Jet mode to cool the indoor air quickly.
	<p>The room may have been very hot when the room air conditioner was first turned on.</p> <ul style="list-style-type: none"> • Allow time for it to cool down.
	<p>Cold air is escaping from the room.</p> <ul style="list-style-type: none"> • Make sure that no cold air is escaping through the ventilation points in the room.
	<p>The desired temperature is higher than the current temperature.</p> <ul style="list-style-type: none"> • Set the desired temperature to a level lower than the current temperature.
	<p>There is a heating source nearby.</p> <ul style="list-style-type: none"> • Avoid using heat generators like electric ovens or gas burners while the air conditioner is in operation.
	<p>Fan mode is selected.</p> <ul style="list-style-type: none"> • During Fan mode, air blows from the appliance without cooling or heating the indoor air. • Switch the operating mode to a cooling operation.
	<p>Outside temperature is too high.</p> <ul style="list-style-type: none"> • The cooling effect may not be sufficient.
<p>The appliance does not emit warm air.</p>	<p>When the Heating mode starts, the vane is almost closed, and no air comes out, even though the outdoor unit is operating.</p> <ul style="list-style-type: none"> • This is normal. Please wait until the appliance has generated enough warm air to blow through the indoor unit.
	<p>The outdoor unit is in Defrosting mode.</p> <ul style="list-style-type: none"> • In Heating mode, ice and frost is built up on the coils when the outside temperature falls. The Defrosting mode reduces a layer of frost on the coil, and it should finish in approximately 15 minutes.
	<p>Outside temperature is too low.</p> <ul style="list-style-type: none"> • The heating effect may not be sufficient.

Symptoms	Possible Cause & Solution
The air conditioner changes generated airflow during operation.	<p>When the appliance reaches the desired temperature, the airflow rate reduces in order to avoid generating cool airflow during heating, or to minimize energy consumption and indoor humidity change during cooling.</p> <ul style="list-style-type: none"> This symptom is normal.
It seems that condensation is leaking from the air conditioner.	<p>Condensation occurs when the airflow from the air conditioner cools the warm room air.</p> <ul style="list-style-type: none"> This symptom is normal.

Performance

Symptoms	Possible Cause & Solution
The indoor unit is still operating even when the appliance has been turned off.	<p>The Auto Clean function is being operated.</p> <ul style="list-style-type: none"> Allow the Auto Clean function to continue since it reduces any remaining moisture inside the indoor unit. If you do not want this function, you can turn the indoor unit off.
The air outlet on the indoor unit is discharging mist.	<p>The cooled air from the appliance makes mist.</p> <ul style="list-style-type: none"> When the room temperature decreases, this phenomenon will disappear.
Water leaks from the outdoor unit.	<p>In the heating operations, condensed water drops from the heat exchanger.</p> <ul style="list-style-type: none"> Install a drain hose under the base pan. Contact the installer.
There is noise or vibration.	<p>A clicking sound can be heard when the appliance starts or stops due to movement of the reversing valve.</p> <p>Creaking sound: The plastic parts of the indoor unit creak when they shrink or expand due to sudden temperature changes.</p> <ul style="list-style-type: none"> Noise is normal during or after operation. It is not a sign of malfunction.
	<p>Flowing sound: This is the flow of refrigerant through the appliance.</p> <p>Blowing sound: This sound generates when compressed air is released into the atmosphere.</p> <p>This is the sound of the dehumidifying water being processed inside the air conditioning unit.</p> <ul style="list-style-type: none"> These are normal symptoms. The noise will stop.
Crack sound is heard.	<p>This sound is generated by the expansion or constriction of the front panel, etc. due to changes of temperature.</p> <ul style="list-style-type: none"> These are normal symptoms. The noise will stop.

Symptoms	Possible Cause & Solution
The indoor unit gives off an odour.	Odours (such as cigarette smoke) may be absorbed into the indoor unit and discharged with airflow. <ul style="list-style-type: none"> If the smell does not disappear, you need to wash the filter. If this does not work, contact the service centre to clean your heat exchanger.
	Check that this is not a damp smell exuded by the walls, carpet, furniture or cloth items in the room. <ul style="list-style-type: none"> If the smell comes out from walls, carpet, furniture or cloth item, clean it.
Remote control display is faint, or no display at all.	Are the batteries depleted? <ul style="list-style-type: none"> Replace the batteries with a new one.
	Are the batteries inserted in the opposite + and - directions? <ul style="list-style-type: none"> Make sure that the + and - terminals of the batteries are oriented correctly.

Calling for Service

Situations in which Calling for Service is Necessary

If the appliance is in one of the following situations, please call the service.

- Anything abnormal, such as a burning smell, loud noises, etc., occur;
 - Turn off the appliance and circuit breaker.
 - Never try to repair or restart the appliance yourself.
- Main power cord is too hot or damaged.
- Error code is generated by self diagnosis.
- Water leaks from the appliance even if the humidity is low.
- Any switch, circuit breaker(safety, earth) or fuse fails to work properly.

NOTE

- The user is responsible for routine checks and cleaning to avoid poor appliance performance.
 - In cases involving unusual or special situations and circumstances servicing must be carried out only by trained service personnel.
-



Manufacturer :

LG Electronics Inc.

84, Wanam-ro, Seongsan-gu, Changwon-si, Gyeongsangnam-do, KOREA

UK Importer: LG Electronics U.K. Ltd

Velocity 2, Brooklands Drive, Weybridge, KT13 0SL

Eco design requirement

• The information for Eco design is available on the following free access website.

<https://www.lg.com/global/support/cedoc/cedoc>