

ORIGINAL
MANUAL



INSTALLATION MANUAL

Wifi Controller

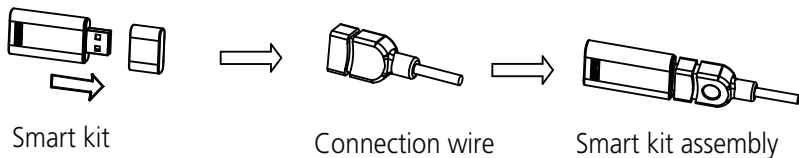
K04 WIFI LCAC



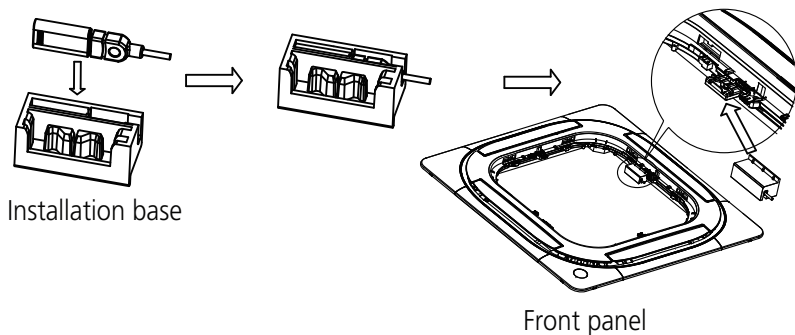
Thank you for purchasing the remote controller.
This manual describes the safety precaution requirement of using this product.

INSTALL THE SMART KIT(wireless module)

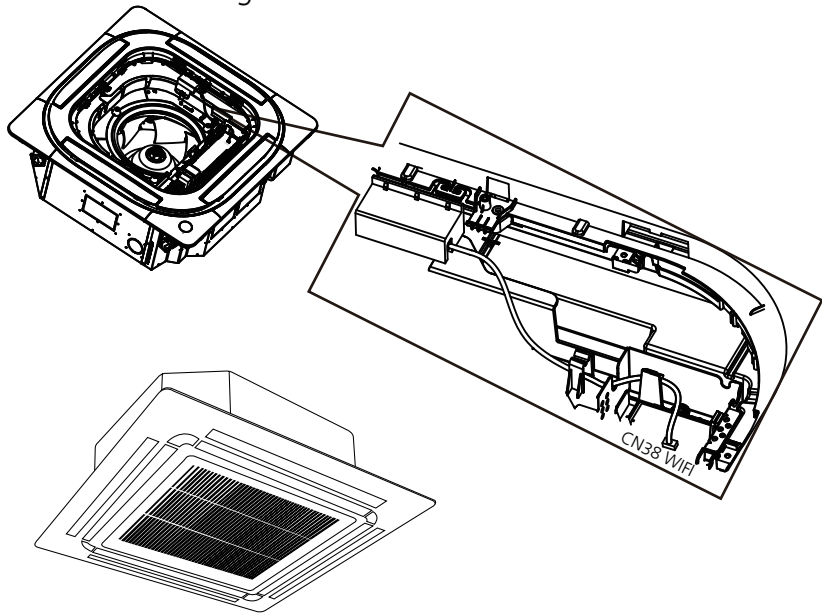
- 1) Remove the protective cap of the smart kit, connect with the connection wire.



- 2) Attach the smart kit assembly to the installation base, then install it on the front panel.



- 3) Connect the wire of the smart kit assembly to CN 38 WIFI port of the main board, then install the electrical control cover and the grille.



After connection, install the electrical control cover and the grille



Kaysun
by frigicoll

MAIN OFFICE

Blasco de Garay, 4-6
08960 Sant Just Desvern
(Barcelona)
Tel. +34 93 480 33 22
<http://www.frigicoll.es/>
<http://www.kaysun.es/en/>

MADRID

Senda Gallana, 1
Poligono Industrial Coslada
Coslada (Madrid)
Tel. +34 91 669 97 01
Fax. +34 91 674 21 00
madrid@frigicoll.es